

Installation Guide Halo Illuminated Mirror

by

① Clearlight Designs®



Installation Instructions

Failure to follow installation instructions could result in serious injury, or damage to property.
Failure to follow installation instructions will void warranty.
Please read these instructions carefully before installation to make sure you have all you need, and to understand what you will be doing during all phases of the handling, installation, removal, operation and maintenance of this product. Failure to comply with these precautions violates safety standards of design, manufacture and intended use of the product.

Clearlight Designs assumes no liability for customer's failure to comply with these requirements.
Installation must only be carried out by a licensed electrician or builder according to local authority regulations.
All electrical works must only be undertaken after disconnection of power by removing fuses or turning off circuit breaker, to ensure all pole isolation of the electrical supply.

IMPORTANT! Installation must only be carried out by a licensed electrician or builder

Do not remove protective film or plastic corners until your mirror is installed
Move mirrors SLOWLY. Plan what you are doing.

Handling Tips

- Always place the mirror on a soft surface e.g. carpet or folded towels.
The edge of the mirror will almost certainly chip if placed on a stone or tiles or hard surface.
- Mirrors are heavy and fragile. Always lift the larger mirrors with two people to share the load. Move slowly and carefully, plan and discuss what you are going to do.

Before fitting the mounting structure to the wall or wiring for power connection:

You will need to know the location of:

- the wall studs
- water pipes
- electrical cables

Consult your plans and have a licensed electrician install electrical requirements for your mirror in accordance with this installation guide.

Electrical installation

A light switch to operate the mirror should be installed on the wall or other convenient location, by a licensed electrician.

If a de-mister is fitted to the mirror you will need two cables through the wall. The Demister and LEDs can be operated by the same switch or different switches.

STEP 1 - Fitting the mounting structure to the wall:

Screw the mounting structure to the wall, join the 240Volt cables from wall to Driver/s and hang mirror on the Split Batten system

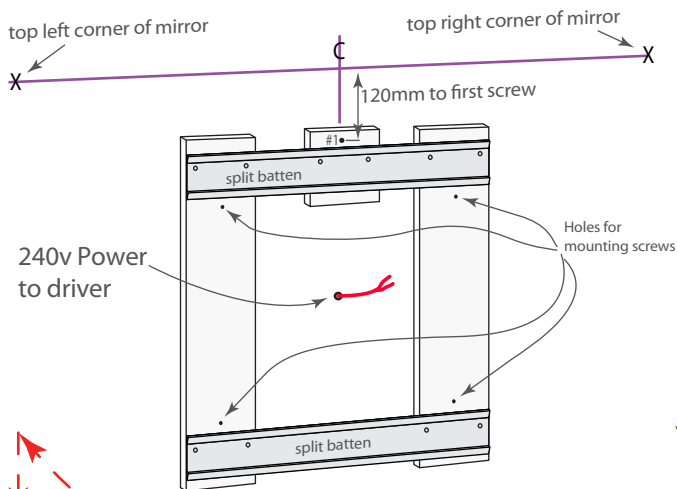
Start by plotting the planned position of the mirror on the wall:

- Mark the top centre of where the mirror will be on the wall.
- Mark out the position of the hole for the first mounting screw (#1) - 120mm down from the top centre point.
- Drill the first hole in the wall at that position
- Fit wall plug or expanding wall anchor. Then screw the mounting structure to the wall through screw hole #1.
- Adjust to level by pivoting on the screw.
- When level, using the mounting structure as a template, mark out or drill pilot holes into the wall through the holes in the mounting structure. (marked with '#', see the diagram below)
- Now unscrew the mounting structure and place it aside so you can complete the drilling of the other holes in the wall. Then set up the wall plugs or wall anchors as before and screw the mounting structure to the wall with all screws.

As a guide, the mirrors weigh approximately 20kg to 25kg per square metre.

Front view of Mounting Structure

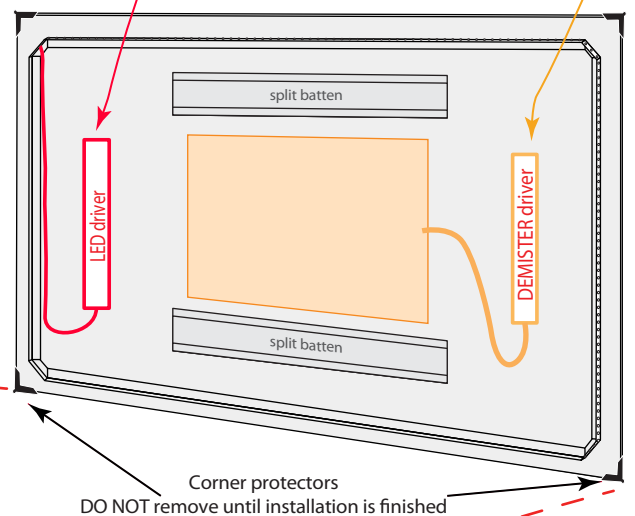
These may appear slightly different depending on size



Back view of Mirror Glass

Connect 240volt from wall into LED driver

If Demister is fitted
Connect 240volt from wall into Demister Driver



STEP 2 - Connecting the mirror lights to power

You may need two people for this next procedure.

- If there is no vanity cupboard in front of the mounting structure use a table or similar. Make sure you padding in place to rest the mirror on. Lift the mirror into a vertical position in front of the mounting structure leaving enough room at one side to reach in and join the cables.
- Have someone hold the mirror vertically in place while you join the cables to driver/s.
- Make sure the wires will not interfere with the split battens when the mirror is lifted into position. Excess cables can be taped out of the way on the mounting structure or inserted into the wall cavity.

STEP 3 - Hanging the mirror on the split battens

- NOTE : First note the position on the wall where the top centre of the mirror needs to be i.e. When the mirror is level and placed 20mm to 25mm above the top centre mark on the wall the split battens on the mirror will be high enough to engage the other split battens on the mounting structure. Do not lift it higher than this. Randomly moving the mirror around on the wall trying to feel out the split battens will cause damage to the mirror from the split battens. With the bigger mirrors you will need 2 people two people to lift the mirror.
- When in this position, the mirror can be pressed flat on the wall and allowed to slide down into position to engage the split battens.

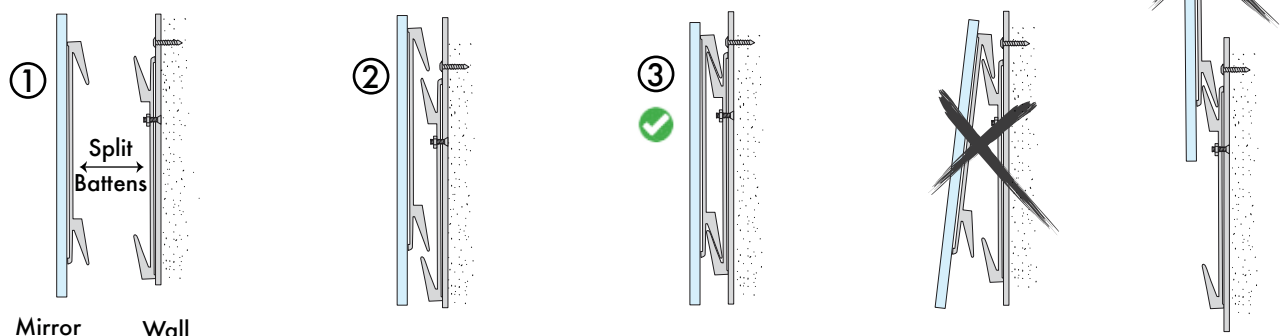
NOTE It is possible to engage only the top or bottom batten, so at this point do not release the mirror until you are sure both split battens are engaged and the mirror is sitting flat against the wall. If you need to adjust the mirror sideways just lift slightly so the split battens release their grip and the mirror will be easier to slide.

When you are happy with the position push firmly down on the mirror so the split batten grip into position.

Remove protective plastic corners and remove the plastic film from the front of the mirror, starting at the top and slowly peel down.

Internal side-view of how the Split battens install works...

... and what can go wrong



Care and Cleaning

On the edge of every the mirror there is a thin line of silver that is exposed to the air. Silver will tarnish eventually and the tarnish may spread under the paint. The mirrors we use employ the latest and best paint technology to prevent this. In order to protect your mirror even more we apply an edge sealer. Cleaning the edge of the mirror with commercial cleaners is unnecessary and may eventually damage that edge seal. To clean the mirror edge all you need is a quick wipe down with a soft cloth dampened with distilled water.

DO NOT USE CLEANERS ON THE EDGE OR BACK OF THE MIRROR. Even air born chemicals e.g. toilet flush chemicals, may tarnish your mirror, When cleaning a mirror simply wipe the glass surface with a few drops of methylated spirits or Isopropyl Alcohol on a clean slightly damp cotton cloth. We have found the Isopropyl Alcohol is the best for cleaning mirrors.

Do not use cleaners containing Ammonia, or bleach, this will void warranty. Some paper towels may leave a smear.